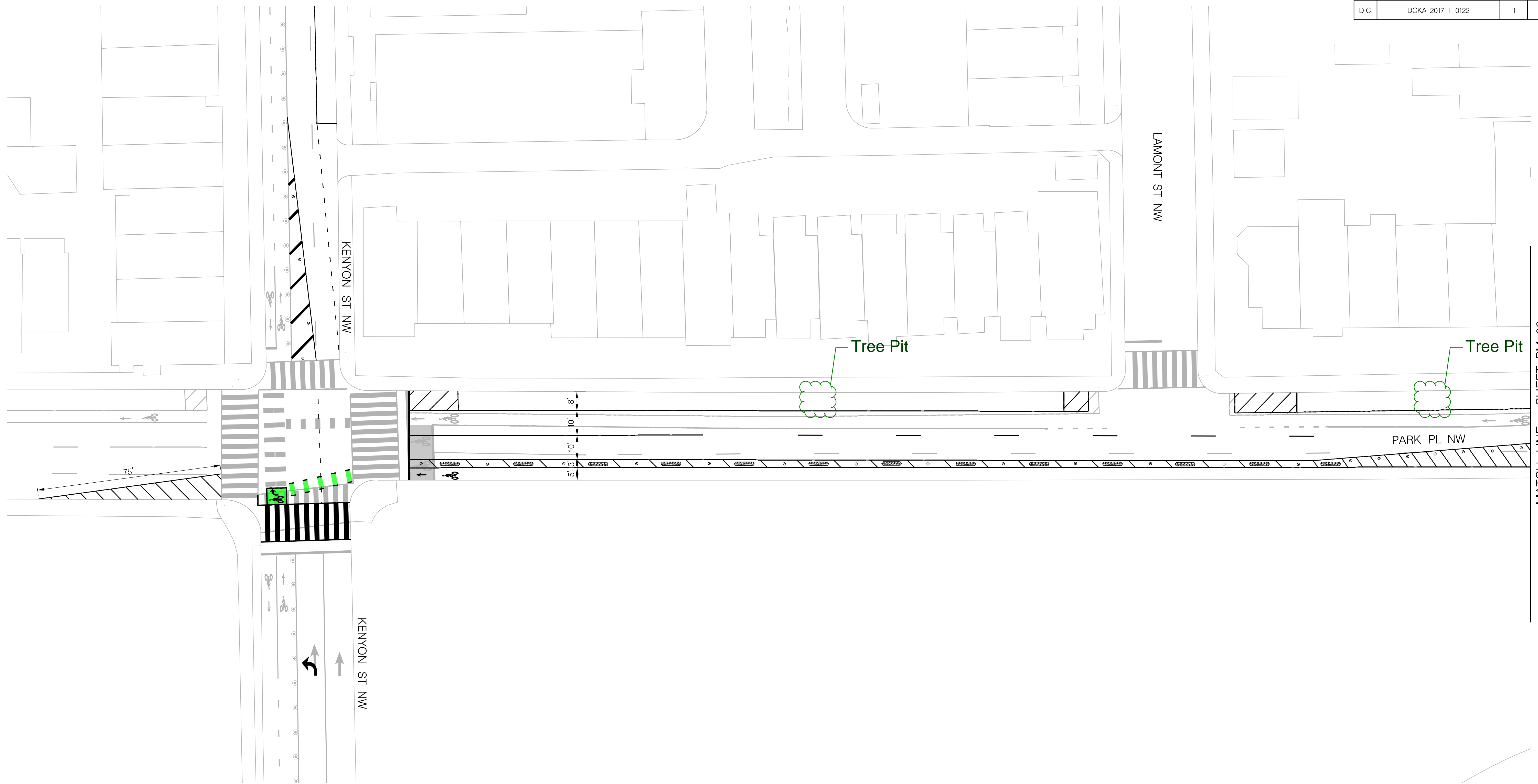


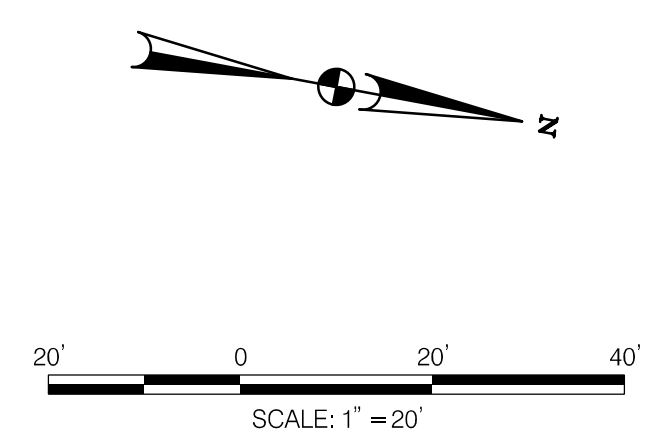
| | | | |
|-------|------------------|-----------|--------------|
| STATE | CONTRACT NO. | SHEET NO. | TOTAL SHEETS |
| D.C. | DCKA-2017-T-0122 | 1 | 8 |



MATCH LINE - SHEET PM-02

PM-01

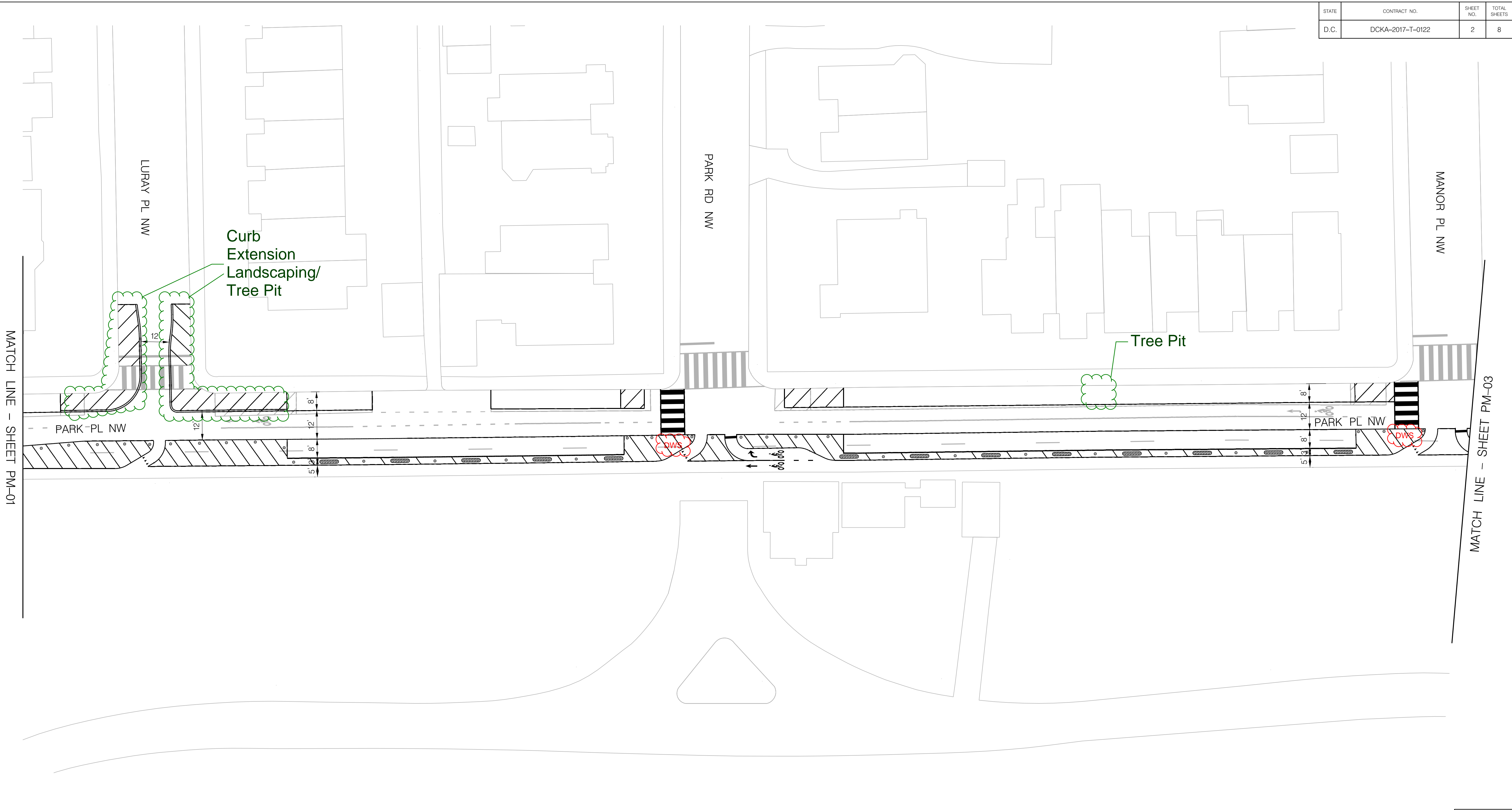
| | |
|--|--|
| D.C. DEPARTMENT OF TRANSPORTATION PLANNING AND SUSTAINABILITY DIVISION ACTIVE TRANSPORTATION PROGRAM | |
| PARK PL NW/5TH ST NW (LOCATION: KENYON ST NW TO GRANT CIR NW) | PROJECT ENG. <u> </u> DAG DESIGNED BY <u> </u> BLT CHECKED BY <u> </u> DLL DRAWN BY <u> </u> BLT PROJECT MGR. <u> </u> DLL |
| CONCEPT PLANS | DIVISION CHIEF DATE <u> </u> JANUARY 2021 FILE <u> </u> SHEET 1 OF 8 |



| NO. | DESCRIPTION | NAME | DATE |
|-----|-------------|------|------|
| | | | |
| | | | |
| | | | |
| | | | |

REVISIONS

| | | | |
|-------|------------------|-----------|--------------|
| STATE | CONTRACT NO. | SHEET NO. | TOTAL SHEETS |
| D.C. | DCKA-2017-T-0122 | 2 | 8 |



MATCH LINE - SHEET PM-01

MATCH LINE - SHEET PM-03

PM-02

D.C. DEPARTMENT OF TRANSPORTATION
 PLANNING AND SUSTAINABILITY DIVISION
 ACTIVE TRANSPORTATION PROGRAM

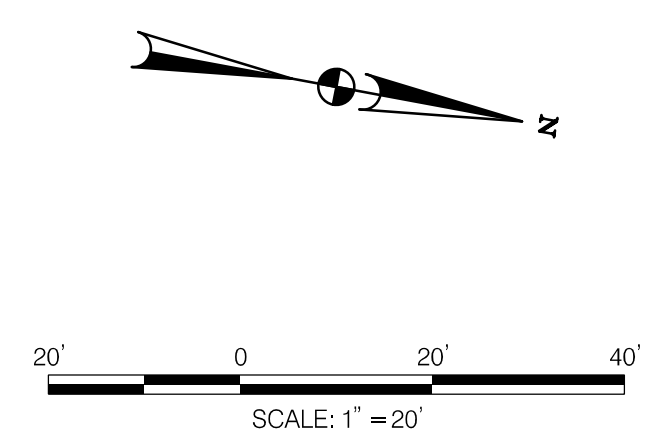
PARK PL NW/5TH ST NW
 (LOCATION: KENYON ST NW
 TO GRANT CIR NW)

PROJECT ENG. DAG
 DESIGNED BY BLT
 CHECKED BY DLL
 DRAWN BY BLT
 PROJECT MGR. DLL

DIVISION CHIEF

CONCEPT PLANS

DATE JANUARY 2021
 FILE
 SHEET 2 OF 8



| NO. | DESCRIPTION | NAME | DATE |
|-----|-------------|------|------|
| | | | |
| | | | |
| | | | |
| | | | |

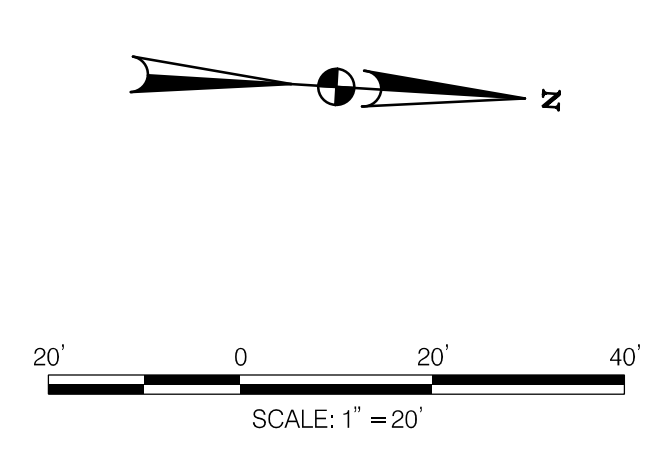
REVISIONS

| | | | |
|-------|------------------|-----------|--------------|
| STATE | CONTRACT NO. | SHEET NO. | TOTAL SHEETS |
| D.C. | DCKA-2017-T-0122 | 3 | 8 |



PM-03

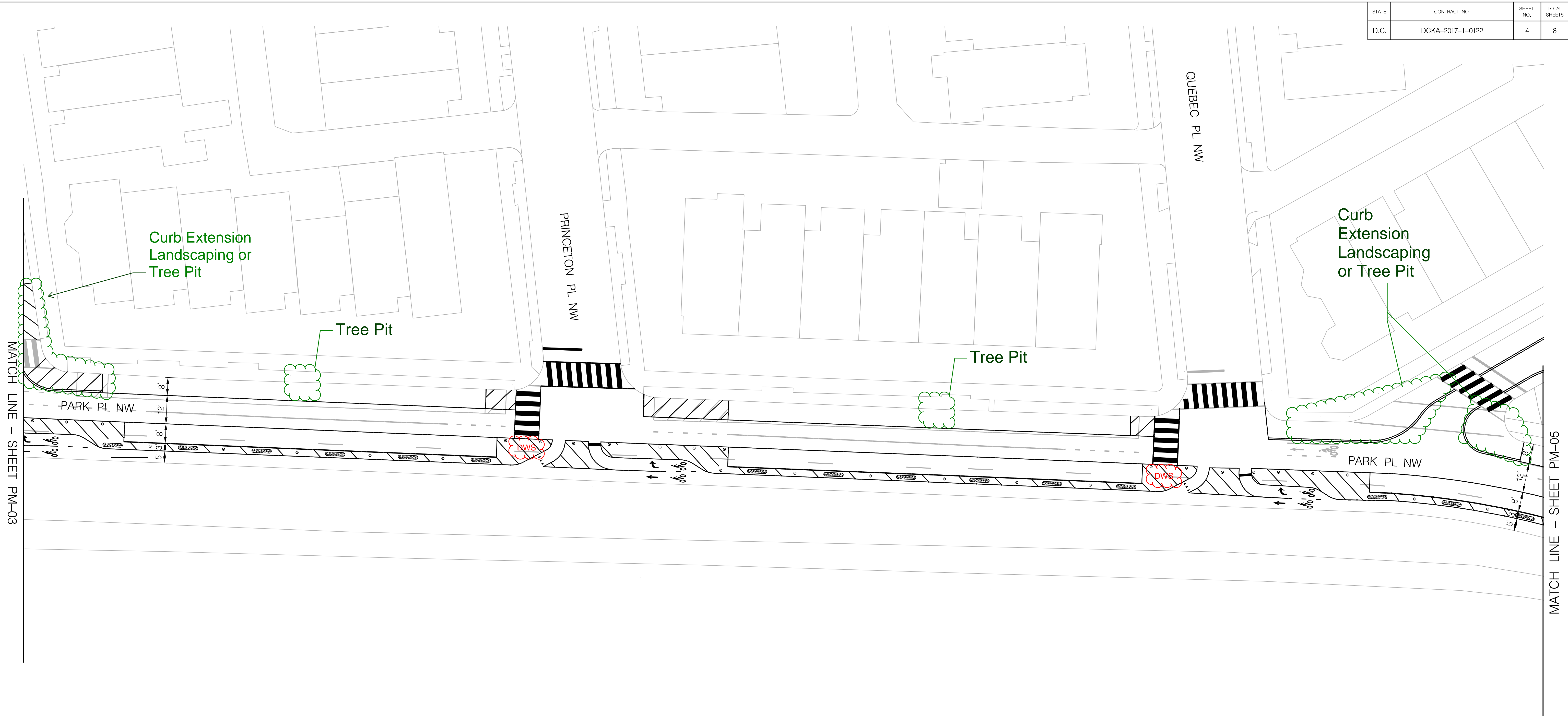
| | |
|--|--|
| D.C. DEPARTMENT OF TRANSPORTATION PLANNING AND SUSTAINABILITY DIVISION ACTIVE TRANSPORTATION PROGRAM | |
| PARK PL NW/5TH ST NW (LOCATION: KENYON ST NW TO GRANT CIR NW) | PROJECT ENG. <u> </u> DAG DESIGNED BY <u> </u> BLT CHECKED BY <u> </u> DLL DRAWN BY <u> </u> BLT PROJECT MGR. <u> </u> DLL |
| CONCEPT PLANS | DIVISION CHIEF DATE <u> </u> JANUARY 2021 FILE <u> </u> SHEET 3 OF 8 |



| NO. | DESCRIPTION | NAME | DATE |
|-----|-------------|------|------|
| | | | |
| | | | |
| | | | |
| | | | |

REVISIONS

| | | | |
|-------|------------------|-----------|--------------|
| STATE | CONTRACT NO. | SHEET NO. | TOTAL SHEETS |
| D.C. | DCKA-2017-T-0122 | 4 | 8 |



MATCH LINE - SHEET PM-03

MATCH LINE - SHEET PM-05

PM-04

D.C. DEPARTMENT OF TRANSPORTATION
 PLANNING AND SUSTAINABILITY DIVISION
 ACTIVE TRANSPORTATION PROGRAM

PARK PL NW/5TH ST NW
 (LOCATION: KENYON ST NW
 TO GRANT CIR NW)

PROJECT ENG. DAG
 DESIGNED BY BLT
 CHECKED BY DLL
 DRAWN BY BLT
 PROJECT MGR. DLL

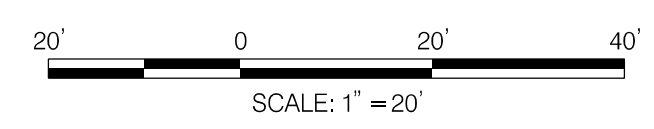
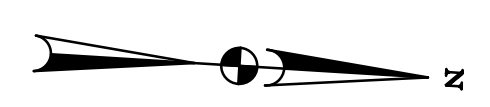
DIVISION CHIEF

CONCEPT PLANS

DATE JANUARY 2021

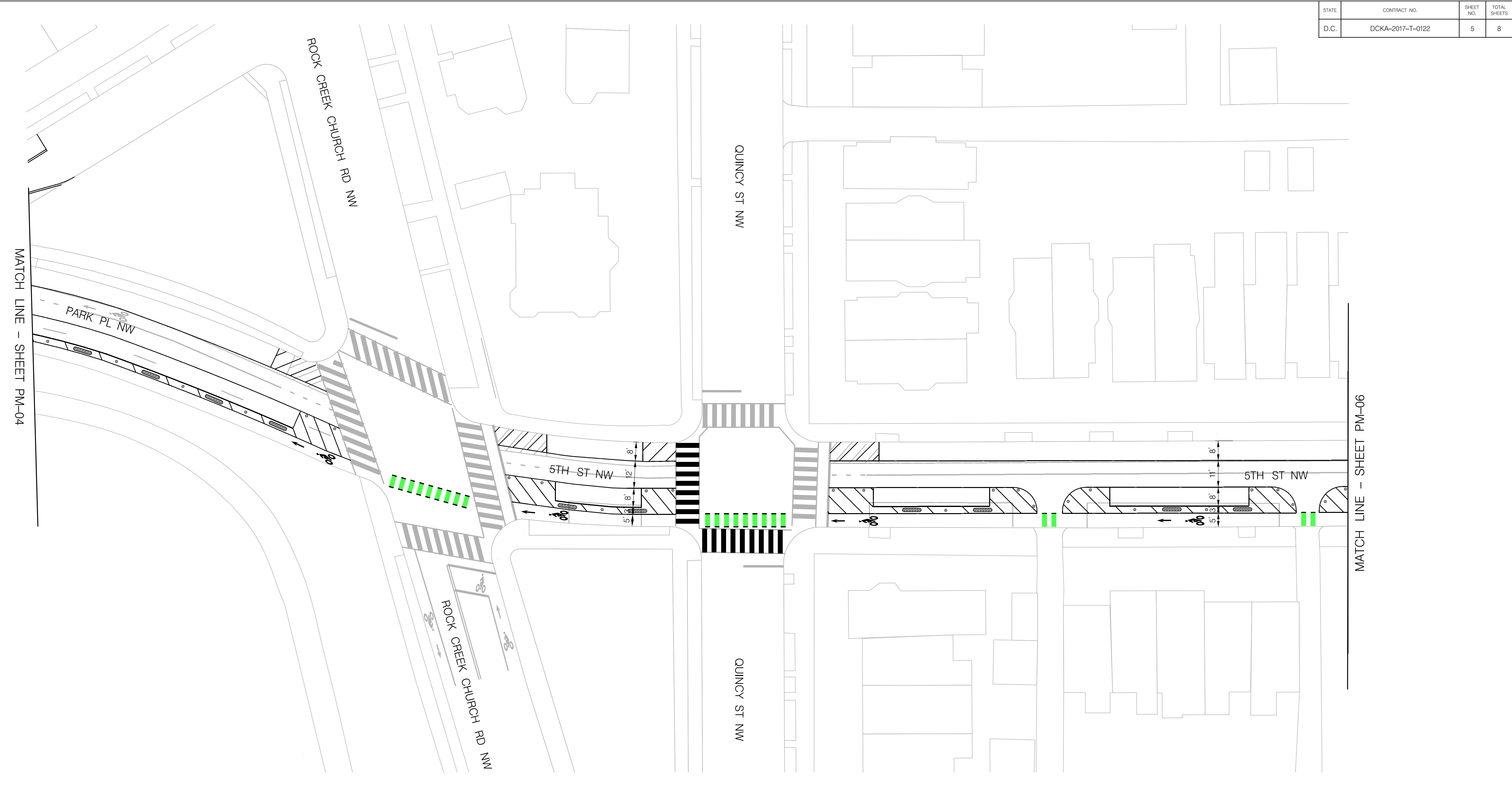
FILE

SHEET 4 OF 8



| NO. | DESCRIPTION | NAME | DATE |
|-----|-------------|------|------|
| | | | |
| | | | |
| | | | |
| | | | |

REVISIONS



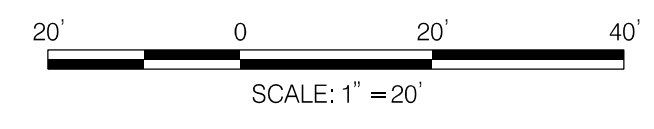
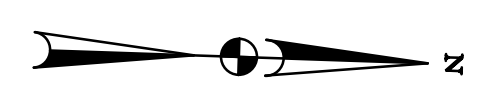
PM-05

D.C. DEPARTMENT OF TRANSPORTATION
PLANNING AND SUSTAINABILITY DIVISION
ACTIVE TRANSPORTATION PROGRAM

PARK PL NW/5TH ST NW
(LOCATION: KENYON ST NW
TO GRANT CIR NW)

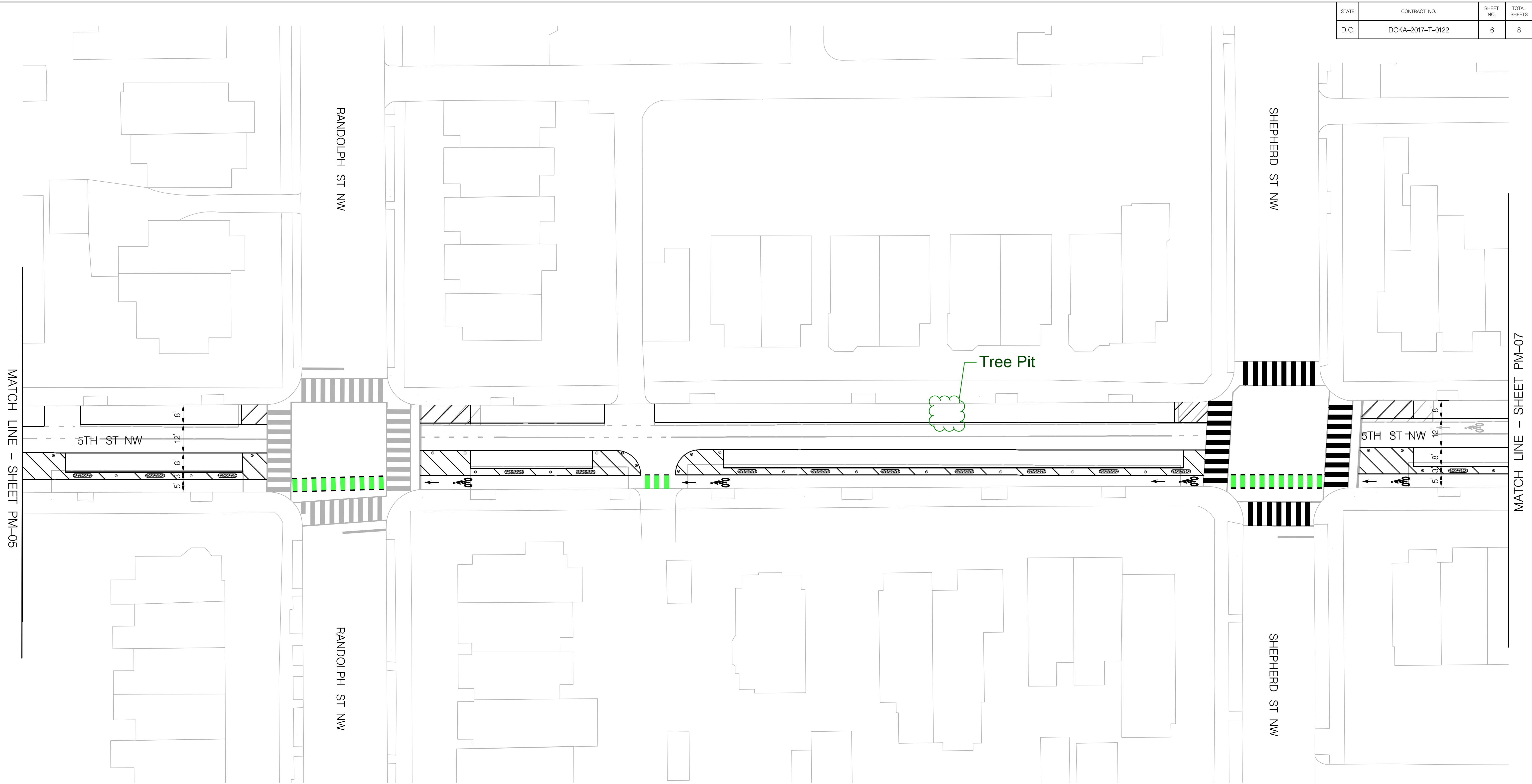
CONCEPT PLANS

| |
|-------------------------|
| PROJECT ENG. _____ DAG |
| DESIGNED BY _____ BLT |
| CHECKED BY _____ DLL |
| DRAWN BY _____ BLT |
| PROJECT MGR. _____ DLL |
| DIVISION CHIEF |
| DATE _____ JANUARY 2021 |
| FILE _____ |
| SHEET 5 OF 8 |



| NO. | DESCRIPTION | NAME | DATE |
|-----|-------------|------|------|
| | | | |
| | | | |
| | | | |
| | | | |

| | | | |
|-------|------------------|-----------|--------------|
| STATE | CONTRACT NO. | SHEET NO. | TOTAL SHEETS |
| D.C. | DCKA-2017-T-0122 | 6 | 8 |



PM-06

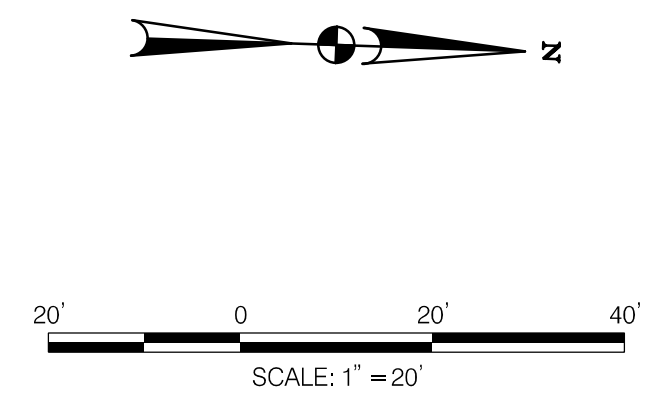
D.C. DEPARTMENT OF TRANSPORTATION
 PLANNING AND SUSTAINABILITY DIVISION
 ACTIVE TRANSPORTATION PROGRAM

PARK PL NW/5TH ST NW
 (LOCATION: KENYON ST NW
 TO GRANT CIR NW)

PROJECT ENG. DAG
 DESIGNED BY BLT
 CHECKED BY DLL
 DRAWN BY BLT
 PROJECT MGR. DLL

DIVISION CHIEF

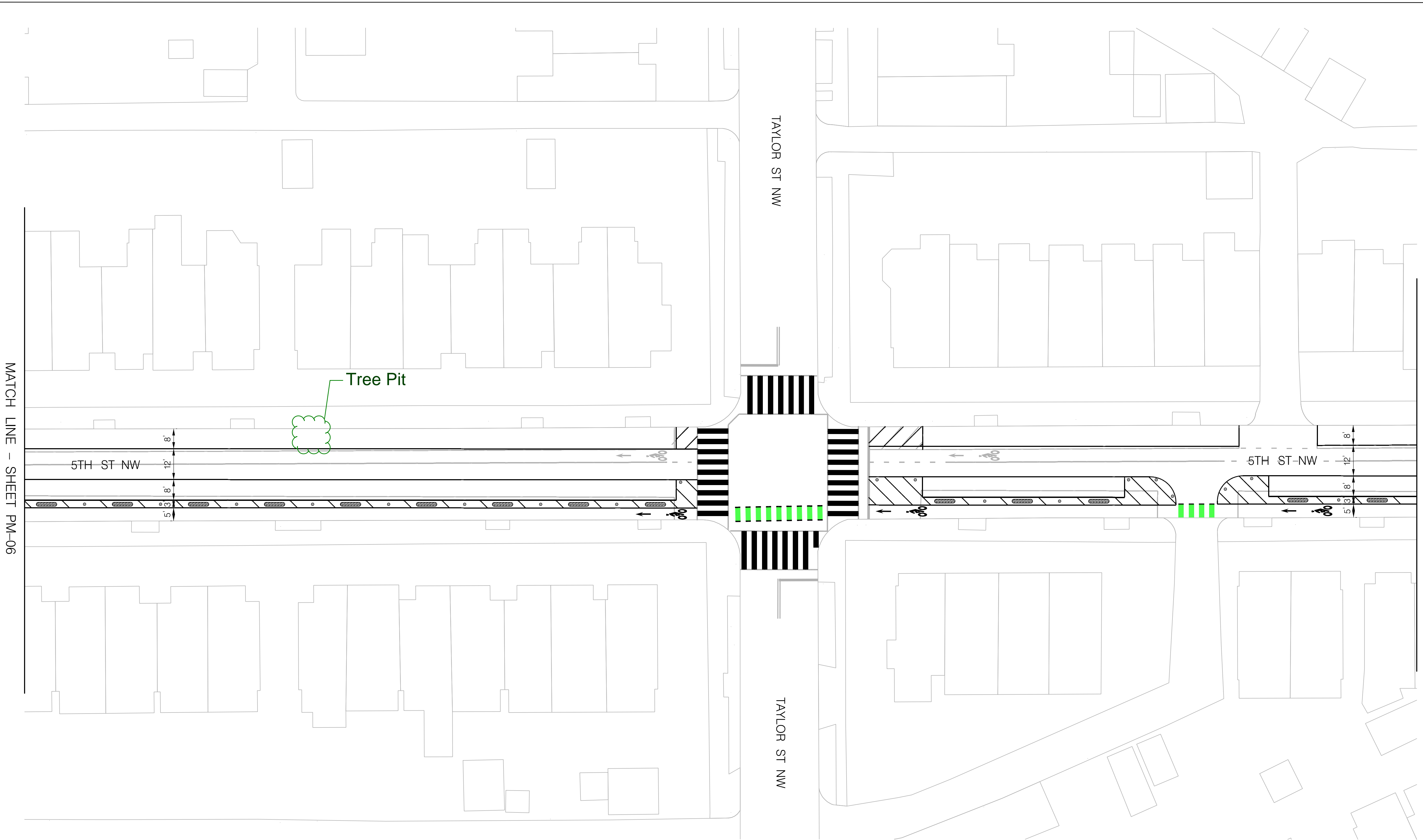
DATE JANUARY 2021
 FILE
 SHEET 6 OF 8



| NO. | DESCRIPTION | NAME | DATE |
|-----|-------------|------|------|
| | | | |
| | | | |
| | | | |
| | | | |

REVISIONS

| | | | |
|-------|------------------|-----------|--------------|
| STATE | CONTRACT NO. | SHEET NO. | TOTAL SHEETS |
| D.C. | DCKA-2017-T-0122 | 7 | 8 |



MATCH LINE - SHEET PM-06

MATCH LINE - SHEET PM-08

TAYLOR ST NW

TAYLOR ST NW

5TH ST NW

5TH ST-NW

Tree Pit

PM-07

D.C. DEPARTMENT OF TRANSPORTATION
 PLANNING AND SUSTAINABILITY DIVISION
 ACTIVE TRANSPORTATION PROGRAM

PARK PL NW/5TH ST NW
 (LOCATION: KENYON ST NW
 TO GRANT CIR NW)

PROJECT ENG. DAG
 DESIGNED BY BLT
 CHECKED BY DLL
 DRAWN BY BLT
 PROJECT MGR. DLL

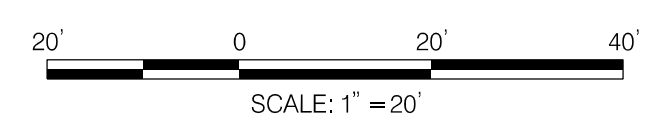
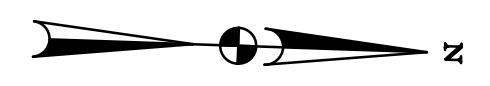
DIVISION CHIEF

CONCEPT PLANS

DATE JANUARY 2021

FILE

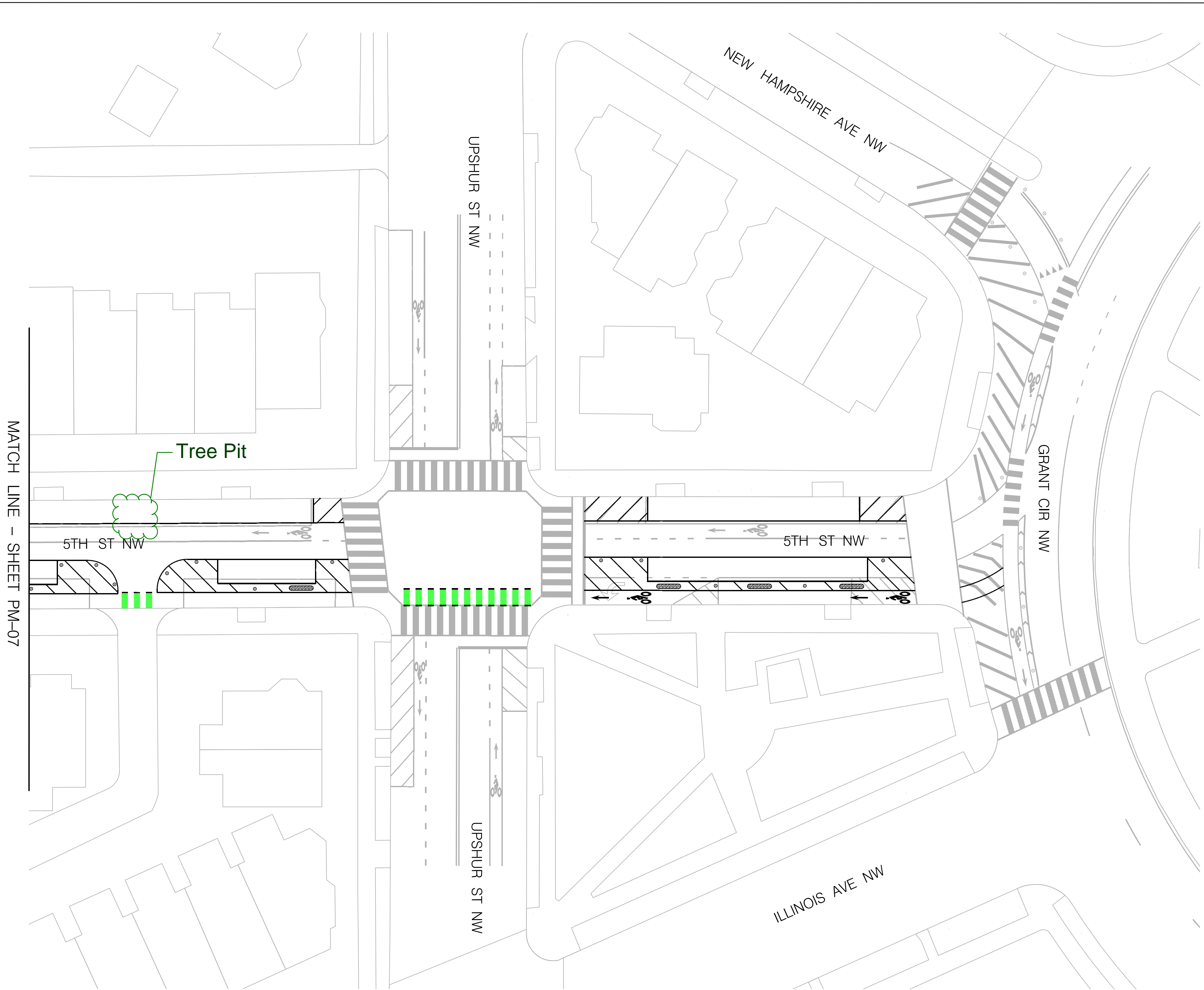
SHEET 7 OF 8



| NO. | DESCRIPTION | NAME | DATE |
|-----|-------------|------|------|
| | | | |
| | | | |
| | | | |

REVISIONS

| | | | |
|-------|------------------|-----------|--------------|
| STATE | CONTRACT NO. | SHEET NO. | TOTAL SHEETS |
| D.C. | DCKA-2017-T-0122 | 8 | 8 |



MATCH LINE - SHEET PM-07

Tree Pit

5TH ST NW

5TH ST NW

UPSUR ST NW

UPSUR ST NW

NEW HAMPSHIRE AVE NW

GRANT CIR NW

ILLINOIS AVE NW

PM-08

D.C. DEPARTMENT OF TRANSPORTATION
PLANNING AND SUSTAINABILITY DIVISION
ACTIVE TRANSPORTATION PROGRAM

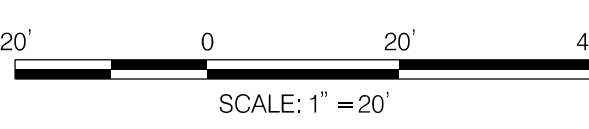
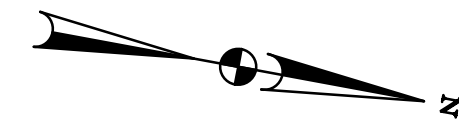
PARK PL NW/5TH ST NW
(LOCATION: KENYON ST NW
TO GRANT CIR NW)

PROJECT ENG. DAG
DESIGNED BY BLT
CHECKED BY DLL
DRAWN BY BLT
PROJECT MGR. DLL

DIVISION CHIEF

CONCEPT PLANS

DATE JANUARY 2021
FILE
SHEET 8 OF 8



| NO. | DESCRIPTION | NAME | DATE |
|-----|-------------|------|------|
| | | | |
| | | | |
| | | | |
| | | | |

REVISIONS